

# 8190 Offset Round Entrance Pull Handles



## Advantages at a glance

- 316 Marine Grade Stainless Steel
- Designed with your project's needs in mind
- High durability with concealed fixings
- Standard finishes: SSS and PSS
- Powdercoat and custom finishes available on request



AS1428 Compliant

dormakaba's Offset Round Entrance Pull Handles crafted with precision and excellence in mind, these handles are designed to elevate your space with their superior quality and attention to detail.

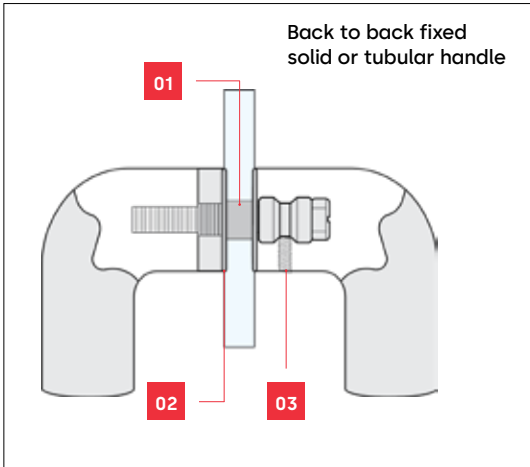
Made from solid, premium 316 Marine Grade Stainless Steel, these handles are built to withstand the test of time, offering unmatched corrosion resistance for both indoor and outdoor use, even in high traffic areas. The offset round design ensures effortless functionality, providing comfortable grip and ease of use.

Ideal for a variety of settings, from residential to commercial, these handles are versatile enough to be installed on glass, timber, and aluminium doors. Elevate your entrances with dormakaba's Offset Round Entrance Pull Handles and experience genuine quality that stands out in any space.

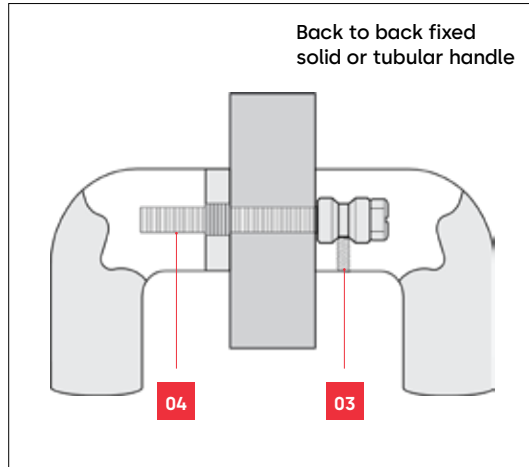
## Refer to ordering details for a range of optional accessories to suit:

- Back to back extended fixing for timber doors
- Back to back fixing for glass doors
- Disc fixing for timber doors
- Disc fixing for glass doors

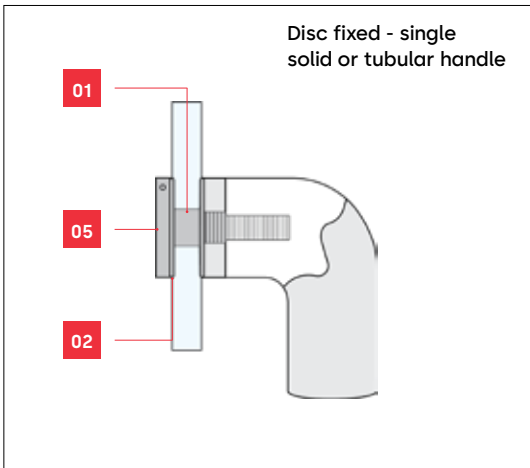
# Fixing options



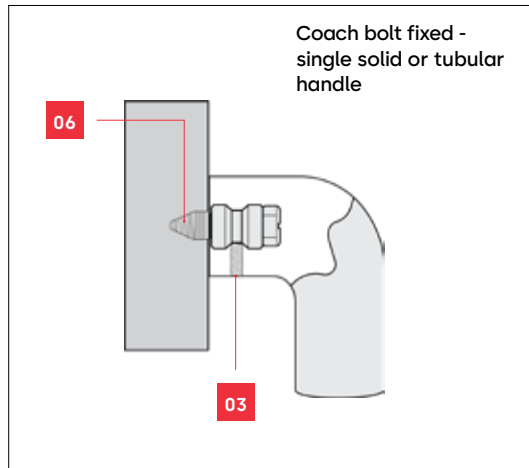
**GD FIX** - glass doors



**TM FIX** - timber or metal doors



**D FIX** - glass, metal or timber doors



**C FIX** - timber doors only

**Note**

Nylon spacers and washers are included with handle for glass door fixing option.

**Legend**

- 01 Spacer
- 02 Washer
- 03 Grub Screw
- 04 Bolt
- 05 Disc
- 06 Coach Bolt

**TIMBER DOOR FIXING**

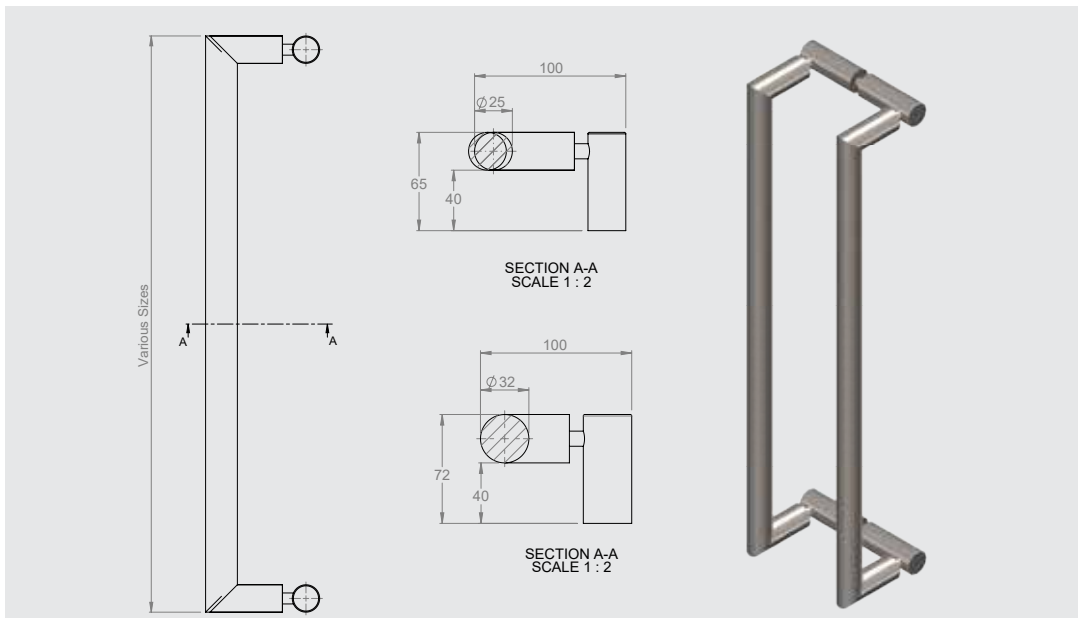
Material Size	Bolt Size
14mm Ø	5mm
16mm Ø	5mm
19mm Ø	8mm
25mm Ø	8mm
32mm Ø	8mm

**METAL DOOR FIXING**

Material Size	Bolt Size
14mm Ø	5mm
16mm Ø	5mm
19mm Ø	8mm
25mm Ø	8mm
32mm Ø	8mm

**GLASS DOOR FIXING**

Material Size	Bolt Size
14mm Ø	12mm Ø
16mm Ø	12mm Ø
19mm Ø	12mm Ø
25mm Ø	12mm Ø
32mm Ø	12mm Ø



8190 Offset Round dimensions

# Ordering details

Item	Article Number	Description	Diameter	Projection	Width	Length	Fixing Centres
<b>BACK TO BACK FIXING</b>							
B8190/400/25/SSS	9458193534101	B8190/400/25 OA 425 CTC 400 SSS	25mm	65mm	100mm	425mm	400mm
B8190/400/25/SF	9400000016467	B8190/400/25 OA 425 CTC 400 SF	25mm	65mm	100mm	425mm	400mm
<b>ACCESSORIES - EXTENDED FIXINGS</b>							
TM/M8/50	9459508058200	M8/50 FERULE HEAD BOLT TM FIX	<b>Note: When ordering extended fixings please use the below formula.</b>  Door thickness + 20mm for the Ferule + 10mm in to the other handle = round up to the nearest size offered				
TM/M8/75	9459758078200	M8/75 FERULE HEAD BOLT TM FIX					
TM/M8/90	9400000012887	M8/90 BOLT & 16MM FERULE TM FIX					
TM/M8/100	9400000012888	M8/100 BOLT & 16MM FERULE TM FIX					
TM/M8/110	9459118118200	M8/110 BOLT & 16MM FERULE TM FIX					
TM/M8/120	9459128128200	M8/120 BOLT & 16MM FERULE TM FIX					
TM/M8/130	9459138138200	M8/130 BOLT & 16MM FERULE TM FIX					
TM/M8/150	9459158158200	M8/150 BOLT & 16MM FERULE TM FIX					
<b>ACCESSORIES - GLASS FIXINGS</b>							
GF25/M8/50 RND	9459502588301	25 DIA RND GLASS FIXING PAIRS					
GF32/M8/50 RND	9459503288301	32 DIA RND GLASS FIXING PAIRS					
<b>ACCESSORIES - DISC FIXINGS</b>							
DF25/M8/75 SSS	9400000014108	25MM DISK FIX PAIR M8X75MM SSS					
<b>ACCESSORIES - GLASS DISC FIXINGS</b>							
GDF25/M8/50 SSS	9459502588101	25MM GLASS DISK FIX SSS PAIR M8X50MM					
<b>ACCESSORIES - DISC FIX &amp; CONCEALED FIXING KITS</b>							
	9400000016706	DISK FIX KIT 25MM SF					
	9400000016707	DISK FIX KIT 32MM SF					
	9400000016703	DISK FIX KIT 25MM					
	9400000016704	DISK FIX KIT 32MM					
	9400000016705	CONCEALED FIXING KIT					

Any questions? We would be happy to advise you.